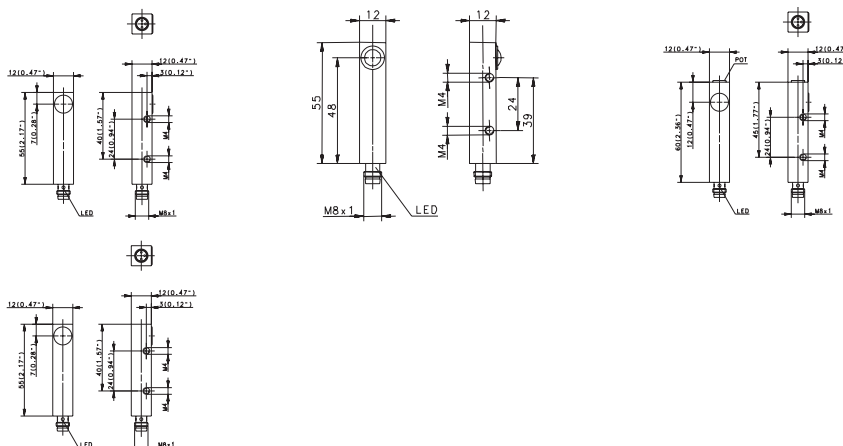


Optoelectronic Sensors (Type 12 x 12 mm, 30 x 30 mm)

Type	12 x 12 x 55 mm		12 x 12 x 55 mm	12 x 12 x 60 mm
Operating mode	Through-beam sensor Type T	Through-beam sensor Type T	Through-beam sensor Type T	Diffuse-reflection sensor Type D
Sensing range	1 m	1 m	6 m	200 mm
Type of connection	Connector M8	Connector M8	Connector M8	Connector M8
Special feature	Core beam			



PNP	Light activated Type Dark activated Type Programmable Type	6551955002 OR12EE-DHTP-01.0-SL 6551755002 OR12EE-DDTP-01.0-SL	6551755004 OR12EE-DDTP-01.0-SLE	6551955001 OR12EE-DHTP-06.0-SL 6551755001 OR12EE-DDTP-06.0-SL	6557955001 OR12RT-DHTP-0200-SLE
NPN	Light activated Type Dark activated Programmable			6551355001 OR12EE-DHTN-06.0-SL	
Transmitter	Type	6551055003 OR12SE-DOOS-01.0-SVC		6551055002 OR12SE-DOOS-06.0-SVC	
Relay output					
NAMUR					
Analogue	Current output Voltage output				
2-wire	DC AC				

Technical data

Rated operating voltage	U_B	10–36 VDC	10–36 VDC	10–36 VDC	10–36 VDC
Rated operating current	I_B	200 mA	200 mA	200 mA	200 mA
Switching frequency (max)	F	100 Hz	100 Hz	100 Hz	100 Hz
Short circuit-protection		Cyclic	Cyclic	Cyclic	Cyclic
Function/operating voltage indicator		LED/-	LED/-	LED/-	LED/-
Sensitivity adjustable		-	Yes	-	Yes
Teachable					
Timer function					
Diagnostic function		Yes		Yes	
Type of light		IR 880 nm	IR 880 nm	IR 880 nm	IR 880 nm

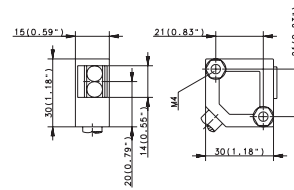
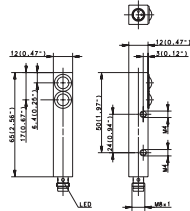
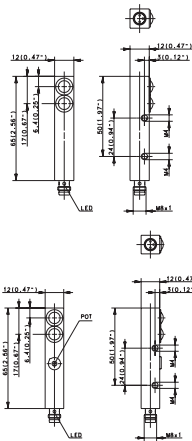
Mechanical data

Ambient temperature (min/max)		-5°C/+70°C	-5°C/+70°C	-5°C/+70°C	-5°C/+70°C
Protection class in accordance with IEC 529, EN 60529		IP65	IP65	IP65	IP65
Enclosure material		CuZn39Pb3	CuZn39Pb3	CuZn39Pb3	CuZn39Pb3
Connection		M8 x 1	M8 x 1	M8 x 1	M8 x 1

Please refer to Accessories for reflectors, mounting brackets, cable couplers and sensor tester.



12 x 12 x 65 mm	12 x 12 x 65 mm	30 x 30 x 15 mm	
Diffuse-reflection sensor Type D	Diffuse-reflection sensor Type D	Diffuse-reflection sensor Type D	
50 mm	1.2 m	1.2 m	
Connector M8	Connector M8	Cable 3 m	
Fixed focus/...		Antivalent ^②	



6558955001 OR12FF-DHTP-0050-SL	6557955002 OR12RT-DHTP-01.2-SLE	6554955001 OR12RS-DHTP-04.0-SL 6554755001 OR12RS-DDTP-04.0-SL	6557875003 ^② OR05RT-DATP-01.2-3DE			

10–36 VDC	10–36 VDC	10–36 VDC	10–36 VDC	
200 mA	200 mA	200 mA	200 mA	
100 Hz	100 Hz	100 Hz	< 1 kHz	
Cyclic	Cyclic	Cyclic	Yes	
LED/-	LED/-	LED/-	LED/LED	
-	Yes	-	Yes	
IR 880 nm	IR 880 nm	IR 880 nm	IR 880 nm	

-5°C/+70°C	-5°C/+70°C	-5°C/+70°C	-25°C/+70°C	
IP65	IP65	IP65	IP67	
CuZn39Pb3	CuZn39Pb3	CuZn39Pb3	PBTB	
M8 x 1	M8 x 1	M8 x 1	4 x 0.14 mm ²	

② Antivalent output

